

# Jib Capacities

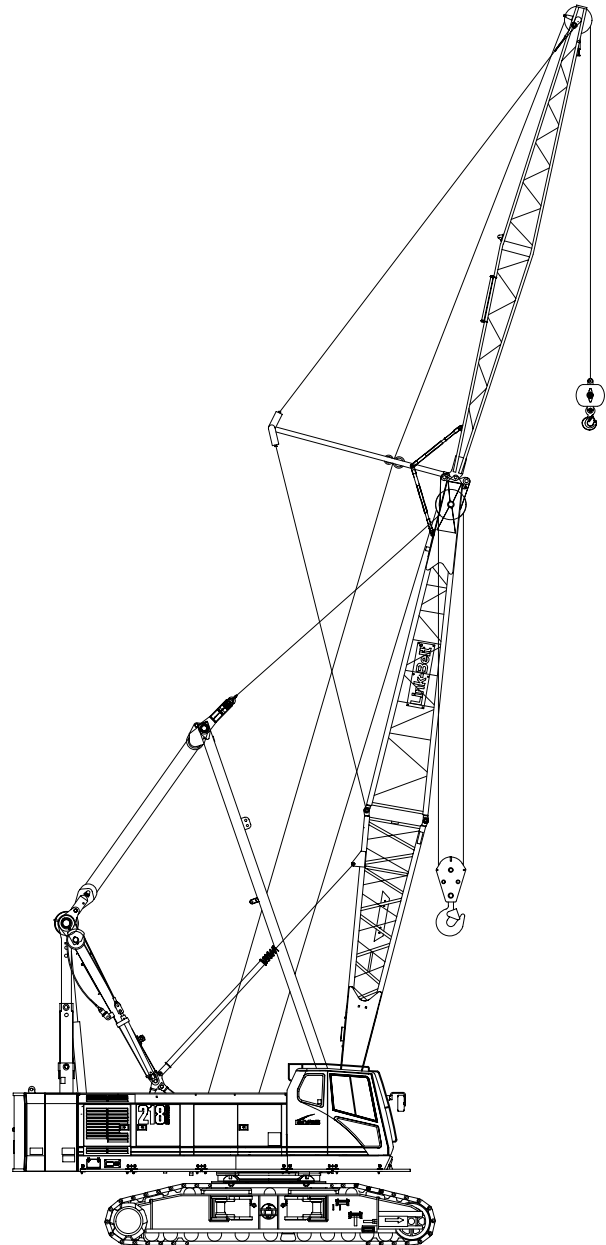
Lattice Boom Crawler Crane

## 218 HYLAB 5

100-ton (90.72 metric ton)

### Angle Boom + Jib Capacities

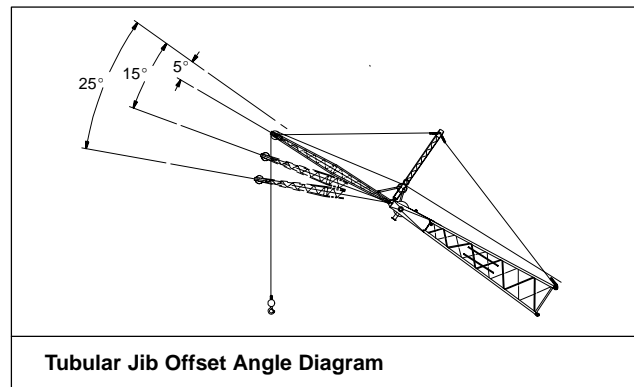
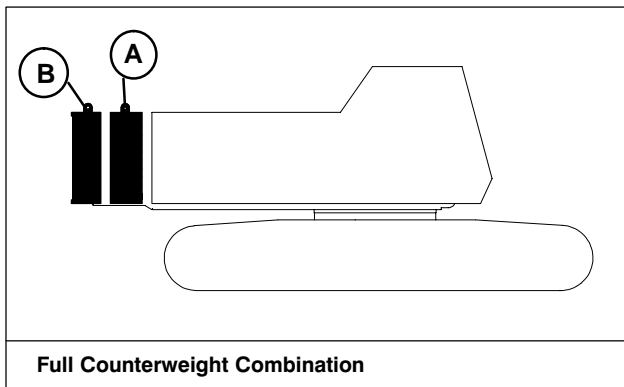
- 40'–150' (12.19–45.72m) Angle Boom with 30'–60' (9.14–18.29m) of Jib
- 20' (6.10m) Open Throat Top Section with 24" (0.61m) Wide x 32" (0.81m) Deep Jib
- Extended Side Frames
- Over End Blocked Capacities
- 360° Capacities
- "AB" Counterweight Options
- 20' 10.5" (6.36m) Crawler Length



**CAUTION:** This material is supplied for reference use only. Operator must refer to in-cab Crane Rating Manual to determine allowable crane lifting capacities and operating procedures.

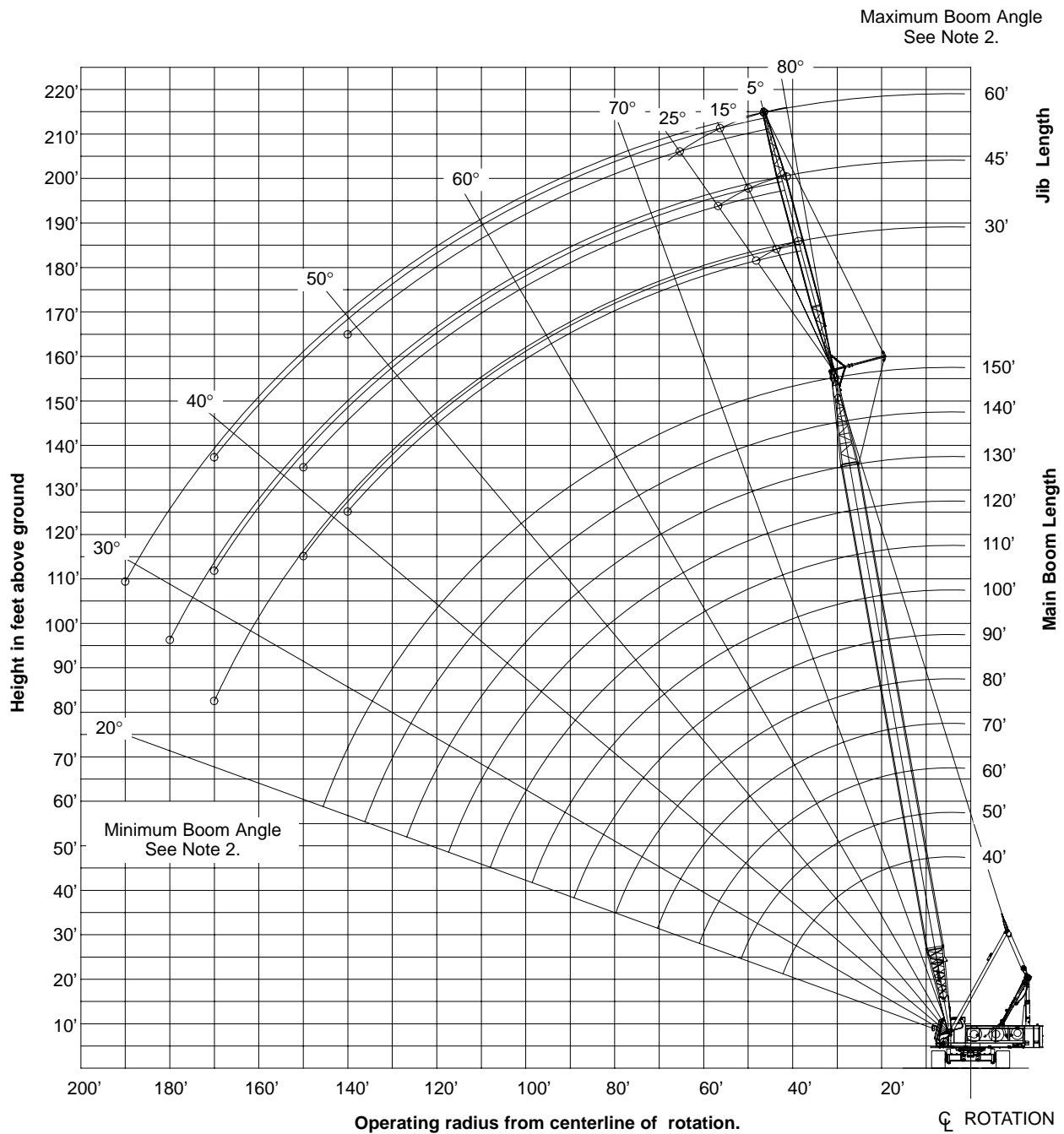
## TUBULAR JIB NOTES FOR ANGLE BOOM

1. Capacities are for a 218 HYLAB 5 crawler crane with “AB” counterweight.
2. Separate capacity charts are listed for 360° and for over end blocked crawler working areas. Apply the appropriate lift capacity chart based on the working area and the specific operating conditions.
3. Over end blocked capacities can be lifted over either end with the crane standing level on a firm supporting surface. Adequate blocking must be placed under both side frame sprockets (or idler rollers) at the end that the load is to be lifted to prevent rocking. The ramps supplied with the crane are considered to be adequate blocking.
4. Capacities are for side frames in the extended position only and are based on the crane standing level on a firm supporting surface.
5. Capacities are limited to a LBCE 48" x 48" (1.22m x 1.22m) angle boom with an LBCE 12-ton, 24" x 32" (0.61m x 0.81m) cross section tube jib with a 11'6" (3.51m) high jib mast properly assembled.
6. Two parts of 1" Diameter Type “RB” wire rope are required for maximum lift.
7. Capacities are for 30' (9.14m), 45' (13.72m), and 60' (18.29m) jib lengths only.
8. Maximum boom plus jib combination is 150' + 60' (45.72m + 18.29m).
9. The least stable condition is over the side.
10. All capacities are listed in pounds and are not more than 75% of the tipping loads. Capacities with an asterisk are governed by factors other than those that would cause a tipping condition.
11. A deduction must be made from the jib capacities for the weight of the following: Main boom hook block or hook ball, jib hook block or hook ball, slings, grapple, etc.



# WORKING RANGE DIAGRAM

## 40' TO 150' MAIN BOOM WITH 30' TO 60' JIB



**Notes:**

1. Boom geometry shown is for unloaded condition and crane standing level on firm supporting surface. Boom deflection, subsequent radius, and boom angle change must be accounted for when applying load to hook.
2. Maximum and minimum boom angles are equal to the values listed in the capacity chart for each boom length.



218 HYLAB 5 - w/ 48" x 48" Angle Boom, w/ 24" x 32" Tube Jib, w/ "AB" Ctwt

Refer to the Tubular Jib Notes for Open Throat Boom in the Crane Rating Manual before operating the crane.

Boom Length (ft)	Jib Length (ft)	Jib Load Radius (ft)	Jib Angle to Boom												Jib Load Radius (ft)
			5 Degrees				15 Degrees				25 Degrees				
			Boom Angle (deg)	Jib Point Height (ft)	Over End Jib Capacity (lb)	360° Jib Capacity (lb)	Boom Angle (deg)	Jib Point Height (ft)	Over End Jib Capacity (lb)	360° Jib Capacity (lb)	Boom Angle (deg)	Jib Point Height (ft)	Over End Jib Capacity (lb)	360° Jib Capacity (lb)	
50	60	29.1	80	116.4	12,600 *	12,600 *									29.1
50	60	30	79.5	116.2	12,500 *	12,500 *									30
50	60	35	76.9	114.9	11,800 *	11,800 *									35
50	60	40	74.2	113.3	11,100 *	11,100 *									40
50	60	50	68.7	109.4	9,600 *	9,600 *	79.4	112.4	9,800 *	9,800 *					50
50	60	60	62.9	104.4	8,100 *	8,100 *	73.9	108.5	8,300 *	8,300 *	78.8	106.7	7,000 *	7,000 *	60
50	60	70	56.8	97.9	6,400 *	6,400 *	68	103.4	6,800 *	6,800 *	72.9	101.4	5,800 *	5,800 *	70
50	60	80	50.2	89.8	5,600 *	5,600 *	61.9	96.9	5,700 *	5,700 *	66.6	94.8	5,400 *	5,400 *	80
50	60	90	42.8	79.3	5,100 *	5,100 *	55.2	88.6	5,300 *	5,300 *	59.7	86.3	4,900 *	4,900 *	90
50	60	100	34	65.4	4,100 *	4,100 *	47.6	78	4,600 *	4,600 *	51.9	75.3	3,900 *	3,900 *	100
60	30	23.08	80	97.2	21,600 *	21,600 *									23.08
60	30	25	78.8	96.8	21,000 *	21,000 *									25
60	30	30	75.5	95.5	19,500 *	19,500 *	78.7	94.9	16,600 *	16,600 *					30
60	30	35	72.3	93.9	18,000 *	18,000 *	75.4	93.3	15,700 *	15,700 *	78.3	92	13,800 *	13,800 *	35
60	30	40	68.9	92	16,700 *	16,700 *	72	91.3	14,800 *	14,800 *	74.9	90	12,900 *	12,900 *	40
60	30	50	61.9	87.1	14,800 *	14,800 *	65	86.4	12,900 *	12,900 *	67.7	85	12,200 *	12,200 *	50
60	30	60	54.4	80.5	12,900 *	12,900 *	57.4	79.7	12,200 *	12,200 *	60	78.2	11,500 *	11,500 *	60
60	30	70	46.1	71.7	12,100 *	12,100 *	49	70.8	11,300 *	11,300 *	51.4	69	10,600 *	10,600 *	70
60	30	80	36.3	59.6	11,100 *	11,100 *	39	58.5	10,300 *	10,300 *					80
60	45	26.96	80	111.7	15,600 *	15,600 *									26.96
60	45	30	78.3	111	15,200 *	15,200 *									30
60	45	35	75.5	109.7	14,400 *	14,400 *	79.6	108.8	12,800 *	12,800 *					35
60	45	40	72.7	108	13,700 *	13,700 *	76.8	107.2	11,900 *	11,900 *					40
60	45	50	66.9	103.9	11,900 *	11,900 *	70.9	103.1	9,900 *	9,900 *	74.7	101.3	7,900 *	7,900 *	50
60	45	60	60.8	98.6	9,900 *	9,900 *	64.8	97.6	7,900 *	7,900 *	68.4	95.8	7,500 *	7,500 *	60
60	45	70	54.3	91.7	7,900 *	7,900 *	58.1	90.7	7,500 *	7,500 *	61.7	88.7	7,100 *	7,100 *	70
60	45	80	47.1	82.9	7,400 *	7,400 *	50.9	81.7	7,000 *	7,000 *	54.2	79.5	6,200 *	6,200 *	80
60	45	90	38.9	71.3	6,800 *	6,800 *	42.5	70	6,000 *	6,000 *	45.5	67.3	5,000 *	5,000 *	90
60	45	100	28.6	55.1	5,400 *	5,400 *									100
60	60	30.84	80	126.2	12,600 *	12,600 *									30.84
60	60	35	78	125.2	12,100 *	12,100 *									35
60	60	40	75.5	123.8	11,400 *	11,400 *									40
60	60	50	70.5	120.3	10,100 *	10,100 *	75.3	119.3	8,700 *	8,700 *	79.9	117.3	7,200 *	7,200 *	50
60	60	60	65.4	115.7	8,700 *	8,700 *	70.1	114.7	7,300 *	7,300 *	74.5	112.6	5,900 *	5,900 *	60
60	60	70	59.9	110	7,300 *	7,300 *	64.6	108.9	5,900 *	5,900 *	68.9	106.7	5,500 *	5,500 *	70
60	60	80	54.1	102.9	5,900 *	5,900 *	58.7	101.7	5,500 *	5,500 *	62.9	99.3	5,100 *	5,100 *	80
60	60	90	47.9	94	5,500 *	5,500 *	52.3	92.7	5,100 *	5,100 *	56.4	90.1	4,500 *	4,500 *	90
60	60	100	40.8	82.9	5,000 *	5,000 *	45.2	81.4	4,300 *	4,300 *	48.9	78.3	3,500 *	3,500 *	100
60	60	110	32.4	68.1	3,900 *	3,900 *	36.5	66.2	3,200 *	3,200 *					110
70	30	24.81	80	107.1	21,600 *	21,600 *									24.81
70	30	25	79.9	107	21,600 *	21,600 *									25
70	30	30	77	105.9	20,200 *	20,200 *	79.8	105.2	16,900 *	16,900 *					30
70	30	35	74.1	104.5	18,800 *	18,800 *	76.9	103.8	16,100 *	16,100 *	79.6	102.4	14,200 *	14,200 *	35
70	30	40	71.1	102.8	17,500 *	17,500 *	73.9	102.1	15,300 *	15,300 *	76.5	100.7	13,400 *	13,400 *	40
70	30	50	64.9	98.4	15,600 *	15,600 *	67.7	97.7	13,700 *	13,700 *	70.2	96.3	12,500 *	12,500 *	50
70	30	60	58.4	92.7	13,900 *	13,900 *	61.1	91.9	12,600 *	12,600 *	63.6	90.4	11,800 *	11,800 *	60





218 HYLAB 5 - w/ 48" x 48" Angle Boom, w/ 24" x 32" Tube Jib, w/ "AB" Ctwt

Refer to the Tubular Jib Notes for Open Throat Boom in the Crane Rating Manual before operating the crane.

Boom Length (ft)	Jib Length (ft)	Jib Load Radius (ft)	Jib Angle to Boom												Jib Load Radius (ft)	
			5 Degrees				15 Degrees				25 Degrees					
			Boom Angle (deg)	Jib Point Height (ft)	Over End Jib Capacity (lb)	360° Jib Capacity (lb)	Boom Angle (deg)	Jib Point Height (ft)	Over End Jib Capacity (lb)	360° Jib Capacity (lb)	Boom Angle (deg)	Jib Point Height (ft)	Over End Jib Capacity (lb)	360° Jib Capacity (lb)		
100	30	30.02	80	136.6	21,600 *	21,600 *										30.02
100	30	35	77.8	135.5	20,600 *	20,600 *										35
100	30	40	75.5	134.3	19,500 *	19,500 *	77.7	133.5	16,300 *	16,300 *	79.8	132.1	14,200 *	14,200 *		40
100	30	50	71	131	17,400 *	17,400 *	73.1	130.3	15,100 *	15,100 *	75.1	128.8	13,000 *	13,000 *		50
100	30	60	66.2	126.9	15,900 *	15,900 *	68.4	126.1	13,800 *	13,800 *	70.3	124.6	12,500 *	12,500 *		60
100	30	70	61.3	121.7	14,600 *	14,600 *	63.4	120.9	12,800 *	12,800 *	65.3	119.3	12,000 *	12,000 *		70
100	30	80	56.2	115.4	13,300 *	13,300 *	58.2	114.5	12,300 *	12,300 *	60	112.8	11,500 *	11,500 *		80
100	30	90	50.7	107.6	12,500 *	12,500 *	52.7	106.7	11,700 *	11,700 *	54.4	104.9	10,900 *	10,900 *		90
100	30	100	44.7	98.2	11,900 *	11,900 *	46.6	97.1	11,100 *	11,100 *	48.2	95.1	10,300 *	10,300 *		100
100	30	110	37.9	86.3	11,200 *	10,600 *	39.8	85.1	10,400 *	10,400 *						110
100	30	120	29.9	70.8	10,400 *	9,200 *										120
100	45	33.9	80	151.1	15,600 *	15,600 *										33.9
100	45	35	79.6	150.9	15,500 *	15,500 *										35
100	45	40	77.6	149.7	15,000 *	15,000 *										40
100	45	50	73.5	146.9	13,900 *	13,900 *	76.4	145.9	11,800 *	11,800 *	79.2	143.9	9,300 *	9,300 *		50
100	45	60	69.3	143.2	12,700 *	12,700 *	72.2	142.2	10,400 *	10,400 *	74.9	140.1	7,900 *	7,900 *		60
100	45	70	65	138.7	11,300 *	11,300 *	67.9	137.6	8,900 *	8,900 *	70.5	135.5	7,700 *	7,700 *		70
100	45	80	60.6	133.2	9,800 *	9,800 *	63.4	132.1	7,800 *	7,800 *	66	129.9	7,300 *	7,300 *		80
100	45	90	55.9	126.6	8,300 *	8,300 *	58.7	125.5	7,500 *	7,500 *	61.2	123.1	7,000 *	7,000 *		90
100	45	100	50.9	118.8	7,700 *	7,700 *	53.7	117.5	7,200 *	7,200 *	56	115	6,400 *	6,400 *		100
100	45	110	45.6	109.4	7,300 *	7,300 *	48.2	108	6,700 *	6,700 *	50.5	105.2	5,700 *	5,700 *		110
100	45	120	39.6	97.9	6,900 *	6,900 *	42.2	96.3	5,900 *	5,900 *						120
100	45	130	32.7	83.4	6,000 *	6,000 *	35.2	81.6	5,000 *	5,000 *						130
100	60	37.79	80	165.6	12,600 *	12,600 *										37.79
100	60	40	79.2	165.1	12,400 *	12,400 *										40
100	60	50	75.5	162.5	11,400 *	11,400 *	79.1	161.3	9,700 *	9,700 *						50
100	60	60	71.8	159.3	10,400 *	10,400 *	75.4	158	8,700 *	8,700 *	78.7	155.6	6,900 *	6,900 *		60
100	60	70	68	155.2	9,400 *	9,400 *	71.5	154	7,700 *	7,700 *	74.8	151.5	5,900 *	5,900 *		70
100	60	80	64	150.4	8,400 *	8,400 *	67.5	149.1	6,600 *	6,600 *	70.7	146.5	5,700 *	5,700 *		80
100	60	90	59.9	144.6	7,300 *	7,300 *	63.4	143.3	5,800 *	5,800 *	66.5	140.6	5,400 *	5,400 *		90
100	60	100	55.7	137.9	6,100 *	6,100 *	59.1	136.5	5,600 *	5,600 *	62.1	133.6	5,100 *	5,100 *		100
100	60	110	51.1	129.9	5,700 *	5,700 *	54.5	128.4	5,200 *	5,200 *	57.4	125.4	4,600 *	4,600 *		110
100	60	120	46.3	120.6	5,400 *	5,400 *	49.6	118.9	4,900 *	4,900 *	52.4	115.6	3,900 *	3,900 *		120
100	60	130	40.9	109.4	5,000 *	5,000 *	44.1	107.5	4,200 *	4,200 *	46.8	103.8	3,200 *	3,200 *		130
100	60	140	34.9	95.6	4,300 *	4,300 *	38	93.5	3,300 *	3,300 *						140
100	60	150	27.7	77.9	3,300 *	3,300 *										150
110	30	31.76	80	146.5	21,600 *	21,600 *										31.76
110	30	35	78.7	145.8	21,000 *	21,000 *										35
110	30	40	76.6	144.6	20,000 *	20,000 *	78.6	143.9	16,600 *	16,600 *						40
110	30	50	72.4	141.6	18,100 *	18,100 *	74.4	140.9	15,400 *	15,400 *	76.2	139.4	13,300 *	13,300 *		50
110	30	60	68	137.8	16,400 *	16,400 *	70	137	14,300 *	14,300 *	71.8	135.5	12,600 *	12,600 *		60
110	30	70	63.6	133.1	15,200 *	15,200 *	65.5	132.3	13,100 *	13,100 *	67.3	130.7	12,200 *	12,200 *		70
110	30	80	58.9	127.4	14,000 *	14,000 *	60.8	126.5	12,500 *	12,500 *	62.5	124.8	11,700 *	11,700 *		80
110	30	90	54	120.5	12,800 *	12,800 *	55.9	119.6	12,000 *	12,000 *	57.5	117.8	11,200 *	11,200 *		90
110	30	100	48.7	112.2	12,300 *	12,000 *	50.5	111.2	11,500 *	11,500 *	52.1	109.2	10,700 *	10,700 *		100
110	30	110	43	102.1	11,700 *	10,300 *	44.7	101	10,900 *	10,500 *	46.1	98.8	10,100 *	10,100 *		110



218 HYLAB 5 - w/ 48" x 48" Angle Boom, w/ 24" x 32" Tube Jib, w/ "AB" Ctwt

Refer to the Tubular Jib Notes for Open Throat Boom in the Crane Rating Manual before operating the crane.

Boom Length (ft)	Jib Length (ft)	Jib Load Radius (ft)	Jib Angle to Boom												Jib Load Radius (ft)
			5 Degrees				15 Degrees				25 Degrees				
			Boom Angle (deg)	Jib Point Height (ft)	Over End Jib Capacity (lb)	360° Jib Capacity (lb)	Boom Angle (deg)	Jib Point Height (ft)	Over End Jib Capacity (lb)	360° Jib Capacity (lb)	Boom Angle (deg)	Jib Point Height (ft)	Over End Jib Capacity (lb)	360° Jib Capacity (lb)	
110	30	120	36.5	89.6	10,700	8,900	38.2	88.3	10,300 *	9,000					120
110	30	130	28.8	73.3	9,400	7,700									130
110	45	35.64	80	161	15,600 *	15,600 *									35.64
110	45	40	78.4	160	15,200 *	15,200 *									40
110	45	50	74.6	157.3	14,200 *	14,200 *	77.3	156.3	12,100 *	12,100 *	79.9	154.3	9,600 *	9,600 *	50
110	45	60	70.7	153.9	13,100 *	13,100 *	73.4	152.9	10,800 *	10,800 *	76	150.8	8,300 *	8,300 *	60
110	45	70	66.7	149.8	11,900 *	11,900 *	69.4	148.7	9,400 *	9,400 *	71.9	146.5	7,700 *	7,700 *	70
110	45	80	62.7	144.7	10,500 *	10,500 *	65.3	143.6	8,100 *	8,100 *	67.7	141.4	7,500 *	7,500 *	80
110	45	90	58.4	138.7	9,100 *	9,100 *	61	137.6	7,700 *	7,700 *	63.3	135.2	7,200 *	7,200 *	90
110	45	100	53.9	131.7	7,900 *	7,900 *	56.5	130.4	7,400 *	7,400 *	58.7	128	6,800 *	6,800 *	100
110	45	110	49.1	123.3	7,600 *	7,600 *	51.7	122	7,100 *	7,100 *	53.8	119.3	6,100 *	6,100 *	110
110	45	120	44	113.3	7,200 *	7,200 *	46.4	111.9	6,500 *	6,500 *	48.4	109	5,400 *	5,400 *	120
110	45	130	38.2	101.3	6,700 *	6,700 *	40.6	99.6	5,700 *	5,700 *					130
110	45	140	31.6	86.1	5,800 *	5,800 *									140
110	60	39.52	80	175.5	12,600 *	12,600 *									39.52
110	60	40	79.8	175.4	12,600 *	12,600 *									40
110	60	50	76.4	172.9	11,700 *	11,700 *	79.8	171.7	9,900 *	9,900 *					50
110	60	60	72.9	169.9	10,700 *	10,700 *	76.3	168.6	9,000 *	9,000 *	79.4	166.1	7,100 *	7,100 *	60
110	60	70	69.3	166.1	9,800 *	9,800 *	72.7	164.8	8,000 *	8,000 *	75.8	162.2	6,200 *	6,200 *	70
110	60	80	65.7	161.6	8,800 *	8,800 *	69	160.3	7,000 *	7,000 *	72	157.6	5,800 *	5,800 *	80
110	60	90	61.9	156.3	7,800 *	7,800 *	65.1	154.9	6,000 *	6,000 *	68.1	152.2	5,500 *	5,500 *	90
110	60	100	58	150.1	6,700 *	6,700 *	61.2	148.6	5,700 *	5,700 *	64.1	145.8	5,200 *	5,200 *	100
110	60	110	53.8	142.9	5,900 *	5,900 *	57	141.3	5,400 *	5,400 *	59.8	138.3	4,500 *	4,500 *	110
110	60	120	49.5	134.4	5,600 *	5,600 *	52.6	132.8	5,100 *	5,100 *	55.3	129.6	3,800 *	3,800 *	120
110	60	130	44.8	124.6	5,300 *	5,300 *	47.8	122.8	4,700 *	4,700 *	50.4	119.3	3,200 *	3,200 *	130
110	60	140	39.6	112.8	4,900 *	4,900 *	42.6	110.9	4,000 *	4,000 *					140
110	60	150	33.8	98.6	4,100 *	4,100 *	36.7	96.3	3,200 *	3,200 *					150
110	60	160	26.8	80.2	3,200 *	3,200 *									160
120	30	33.5	80	156.3	21,600 *	21,600 *									33.5
120	30	35	79.4	156	21,300 *	21,300 *									35
120	30	40	77.5	154.9	20,400 *	20,400 *	79.4	154.2	16,800 *	16,800 *					40
120	30	50	73.6	152.1	18,600 *	18,600 *	75.4	151.4	15,700 *	15,700 *	77.2	149.9	13,500 *	13,500 *	50
120	30	60	69.6	148.6	16,800 *	16,800 *	71.4	147.8	14,700 *	14,700 *	73.1	146.3	12,800 *	12,800 *	60
120	30	70	65.4	144.3	15,700 *	15,700 *	67.3	143.5	13,600 *	13,600 *	68.9	141.9	12,300 *	12,300 *	70
120	30	80	61.2	139	14,600 *	14,600 *	63	138.2	12,700 *	12,700 *	64.6	136.5	11,900 *	11,900 *	80
120	30	90	56.7	132.8	13,400 *	13,400 *	58.5	131.9	12,300 *	12,300 *	60	130.1	11,500 *	11,500 *	90
120	30	100	52	125.3	12,600 *	11,700 *	53.7	124.4	11,800 *	11,800 *	55.2	122.5	11,000 *	11,000 *	100
120	30	110	47	116.5	12,100	10,000	48.6	115.5	11,300 *	10,200	50	113.4	10,000 *	10,000 *	110
120	30	120	41.4	105.8	10,500	8,600	43.1	104.7	10,600	8,700					120
120	30	130	35.2	92.7	9,100	7,400	36.7	91.4	9,200	7,500					130
120	30	140	27.7	75.7	7,900	6,400									140
120	45	37.38	80	170.8	15,600 *	15,600 *									37.38
120	45	40	79.1	170.3	15,400 *	15,400 *									40
120	45	50	75.5	167.8	14,400 *	14,400 *	78.1	166.7	12,300 *	12,300 *					50
120	45	60	71.9	164.6	13,500 *	13,500 *	74.5	163.5	11,100 *	11,100 *	76.9	161.4	8,600 *	8,600 *	60
120	45	70	68.2	160.7	12,400 *	12,400 *	70.8	159.6	9,900 *	9,900 *	73.1	157.4	7,800 *	7,800 *	70

218 HYLAB 5 - w/ 48" x 48" Angle Boom, w/ 24" x 32" Tube Jib, w/ "AB" Cwtw

Refer to the Tubular Jib Notes for Open Throat Boom in the Crane Rating Manual before operating the crane.

Boom Length (ft)	Jib Length (ft)	Jib Load Radius (ft)	Jib Angle to Boom												Jib Load Radius (ft)
			5 Degrees				15 Degrees				25 Degrees				
			Boom Angle (deg)	Jib Point Height (ft)	Over End Jib Capacity (lb)	360° Jib Capacity (lb)	Boom Angle (deg)	Jib Point Height (ft)	Over End Jib Capacity (lb)	360° Jib Capacity (lb)	Boom Angle (deg)	Jib Point Height (ft)	Over End Jib Capacity (lb)	360° Jib Capacity (lb)	
120	45	80	64.4	156	11,100 *	11,100 *	66.9	154.9	8,600 *	8,600 *	69.2	152.7	7,600 *	7,600 *	80
120	45	90	60.5	150.5	9,800 *	9,800 *	63	149.4	7,800 *	7,800 *	65.2	147	7,300 *	7,300 *	90
120	45	100	56.4	144	8,400 *	8,400 *	58.9	142.8	7,500 *	7,500 *	61	140.4	7,000 *	7,000 *	100
120	45	110	52.1	136.5	7,800 *	7,800 *	54.5	135.2	7,300 *	7,300 *	56.6	132.6	6,300 *	6,300 *	110
120	45	120	47.5	127.6	7,500 *	7,500 *	49.9	126.2	6,900 *	6,900 *	51.8	123.5	5,400 *	5,400 *	120
120	45	130	42.5	117.1	7,100 *	7,100 *	44.8	115.6	6,300 *	6,300 *	46.6	112.6	4,600 *	4,600 *	130
120	45	140	37	104.5	6,500 *	6,500 *	39.2	102.8	5,500 *	5,500 *					140
120	45	150	30.6	88.8	5,700 *	5,700 *									150
120	60	41.26	80	185.3	12,600 *	12,600 *									41.26
120	60	50	77.2	183.3	11,900 *	11,900 *									50
120	60	60	73.9	180.4	11,000 *	11,000 *	77	179.1	9,200 *	9,200 *					60
120	60	70	70.5	176.9	10,100 *	10,100 *	73.7	175.5	8,300 *	8,300 *	76.6	172.9	6,400 *	6,400 *	70
120	60	80	67.1	172.6	9,200 *	9,200 *	70.2	171.3	7,300 *	7,300 *	73.1	168.6	5,800 *	5,800 *	80
120	60	90	63.6	167.7	8,200 *	8,200 *	66.7	166.3	6,400 *	6,400 *	69.5	163.6	5,600 *	5,600 *	90
120	60	100	60	162	7,300 *	7,300 *	63	160.5	5,800 *	5,800 *	65.8	157.6	5,000 *	5,000 *	100
120	60	110	56.2	155.3	6,300 *	6,300 *	59.2	153.8	5,600 *	5,600 *	61.9	150.8	4,200 *	4,200 *	110
120	60	120	52.2	147.7	5,800 *	5,800 *	55.2	146.1	5,300 *	5,300 *	57.8	142.9	3,500 *	3,500 *	120
120	60	130	48	138.8	5,500 *	5,500 *	50.9	137.1	4,800 *	4,800 *	53.4	133.7	3,000 *	3,000 *	130
120	60	140	43.4	128.4	5,200 *	5,200 *	46.3	126.6	4,100 *	4,100 *	48.6	122.9	2,600 *	2,600 *	140
120	60	150	38.4	116.2	4,700 *	4,700 *	41.2	114.2	3,600 *	3,600 *					150
120	60	160	32.8	101.4	4,000 *	4,000 *	35.4	99	3,000 *	3,000 *					160
120	60	170	26	82.4	3,100 *	3,100 *									170
130	30	35.23	80	166.2	21,600 *	21,600 *									35.23
130	30	40	78.3	165.2	20,800 *	20,800 *									40
130	30	50	74.6	162.6	19,100 *	19,100 *	76.4	161.8	16,000 *	16,000 *	78	160.3	13,800 *	13,800 *	50
130	30	60	70.9	159.3	17,400 *	17,400 *	72.6	158.5	15,000 *	15,000 *	74.2	157	12,900 *	12,900 *	60
130	30	70	67.1	155.3	16,200 *	16,200 *	68.8	154.5	14,000 *	14,000 *	70.3	152.9	12,500 *	12,500 *	70
130	30	80	63.1	150.4	15,100 *	15,100 *	64.8	149.6	12,900 *	12,900 *	66.3	147.9	12,100 *	12,100 *	80
130	30	90	59	144.7	14,000 *	13,600 *	60.7	143.8	12,500 *	12,500 *	62.2	142.1	11,700 *	11,700 *	90
130	30	100	54.8	137.9	12,900 *	11,400 *	56.4	137	12,100 *	11,700 *	57.8	135.2	10,500 *	10,500 *	100
130	30	110	50.2	130	11,800 *	9,700 *	51.8	129	11,200 *	9,900 *	53.2	127.1	8,900 *	8,900 *	110
130	30	120	45.4	120.6	10,200 *	8,300 *	46.9	119	9,600 *	8,400 *	48.2	117.5	7,600 *	7,600 *	120
130	30	130	40	109.4	8,800 *	7,100 *	41.6	108.3	8,400 *	7,200 *					130
130	30	140	34	95.7	7,600 *	6,100 *	35.5	94.4	7,400 *	6,200 *					140
130	30	150	26.8	78.1	6,600 *	5,200 *									150
130	45	39.11	80	180.7	15,600 *	15,600 *									39.11
130	45	40	79.7	180.5	15,500 *	15,500 *									40
130	45	50	76.4	178.1	14,600 *	14,600 *	78.8	177.1	12,600 *	12,600 *					50
130	45	60	73	175.2	13,700 *	13,700 *	75.4	174.1	11,400 *	11,400 *	77.7	171.9	8,800 *	8,800 *	60
130	45	70	69.5	171.5	12,800 *	12,800 *	71.9	170.4	10,300 *	10,300 *	74.2	168.2	7,900 *	7,900 *	70
130	45	80	66	167.2	11,600 *	11,600 *	68.4	166	9,100 *	9,100 *	70.5	163.8	7,700 *	7,700 *	80
130	45	90	62.4	162	10,400 *	10,400 *	64.7	160.9	7,900 *	7,900 *	66.8	158.6	7,400 *	7,400 *	90
130	45	100	58.6	156.1	9,100 *	9,100 *	60.9	154.9	7,700 *	7,700 *	62.9	152.5	6,900 *	6,900 *	100
130	45	110	54.6	149.2	7,900 *	7,900 *	56.9	147.9	7,400 *	7,400 *	58.9	145.4	5,800 *	5,800 *	110
130	45	120	50.5	141.1	7,600 *	7,600 *	52.7	139.8	7,000 *	7,000 *	54.6	137.1	4,900 *	4,900 *	120
130	45	130	46	131.8	7,400 *	7,300 *	48.2	130.4	6,100 *	6,100 *	50	127.4	4,200 *	4,200 *	130
130	45	140	41.2	120.8	6,700 *	6,300 *	43.3	119.2	5,300 *	5,300 *	45	116	3,600 *	3,600 *	140







**This page intentionally blank**

**This page intentionally blank**

